

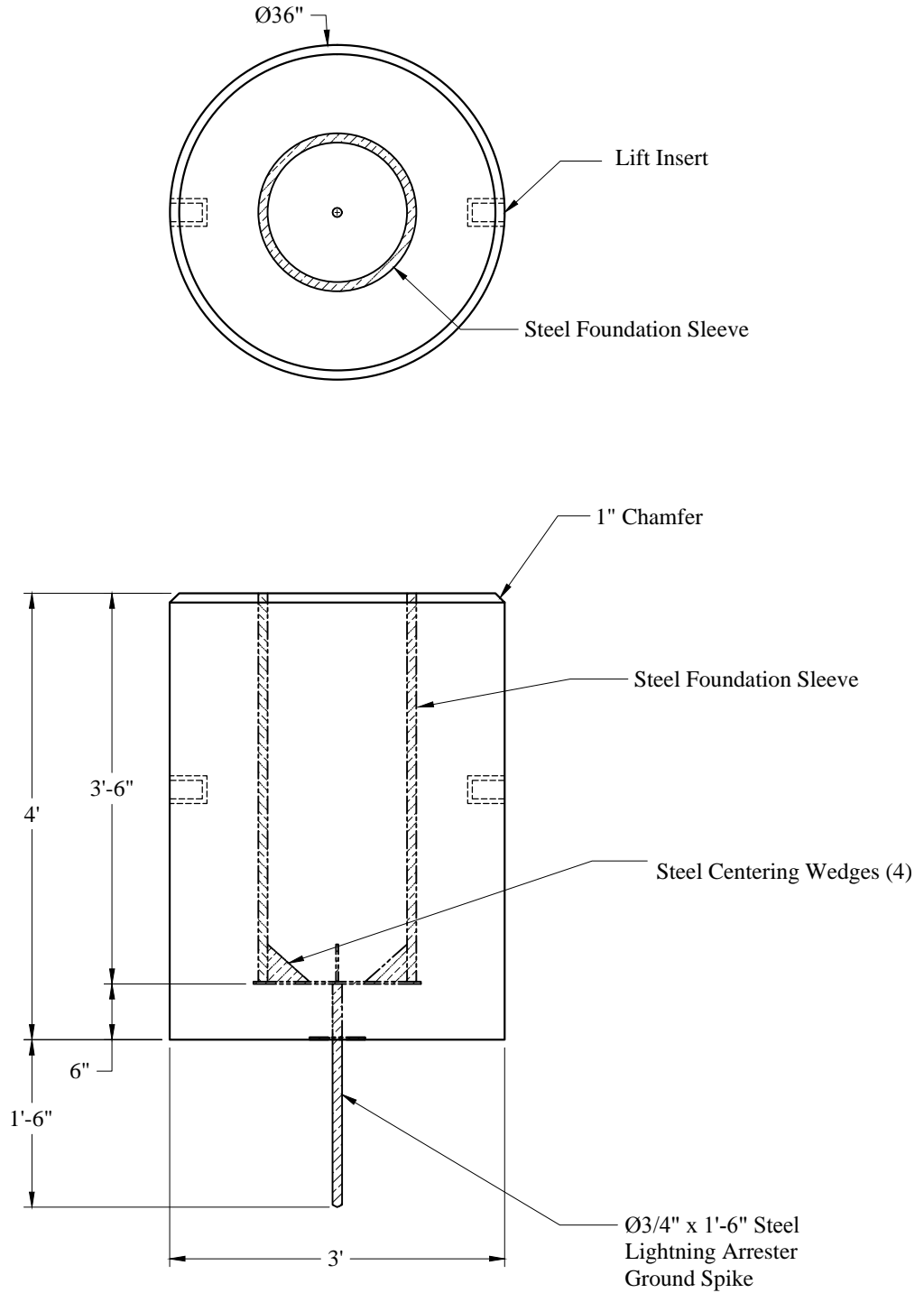
1-800-639-2199

Fax (603) 224-2927

Light Pole Bases 36 Inch Dia x 4 Ft Flagpole Footing

Phoenix Precast Products

Phoenix Precast Products



General Notes

1. Concrete:  $f_c = 4,000$  psi @ 28 Days Minimum
2. Reinforcement Steel Conforms to:  
ASTM A615 Grade 60 Black Deformed Bars
3. Est Weight: 3,880 Lbs

Phoenix  
Precast  
Products

36"Ø x 4'  
Flagpole Footing

P/N: FPB36-4